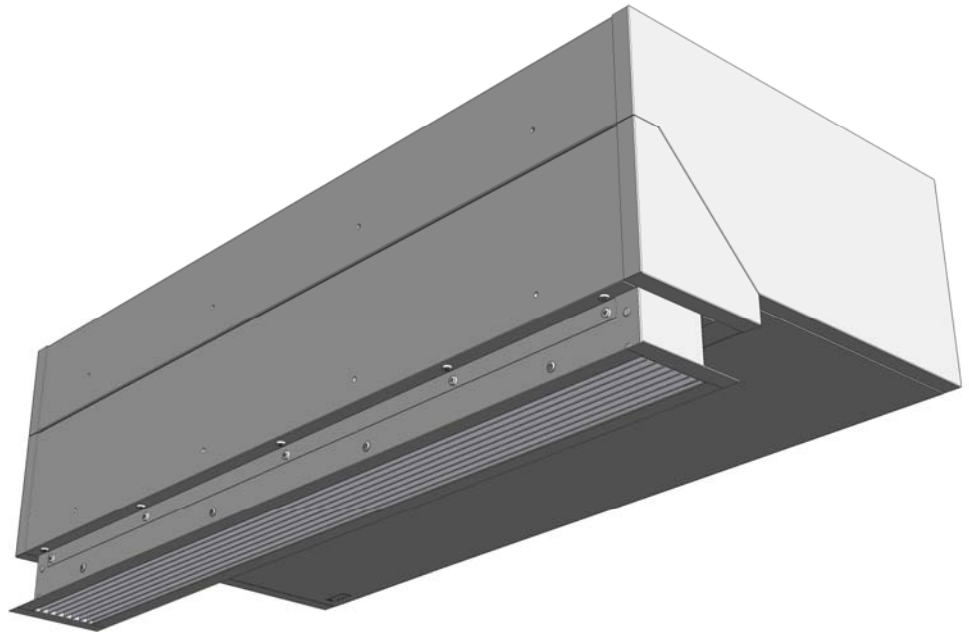


## **General-purpose Air Curtains**

### **Recessed model SF also available**

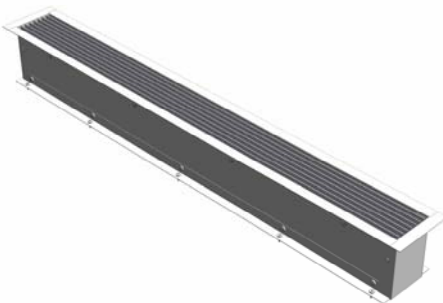
The general-purpose air curtain, model SF, is an excellent performing unit for climate separation in comfort applications like shops and public buildings. The standard configuration comes as a free-hanging unit and should be mounted as close as possible above the door to provide the optimum performance. In some cases it is not possible to apply a free-hanging configuration because of space limitations, architectural demands or other reasons. For these applications Biddle has developed accessories to convert a free-hanging SF air curtain into a recessed model.

A free-hanging air curtain is normally mounted via mounting rods below the (false) ceiling above the door. Surrounding air is entering via the air inlet grille and is creating a barrier for convection flows via the outlet grille. With only two accessories it is possible to mount the free-hanging unit as a recessed unit over the false ceiling whilst remaining the same functionality and performance of the unit.

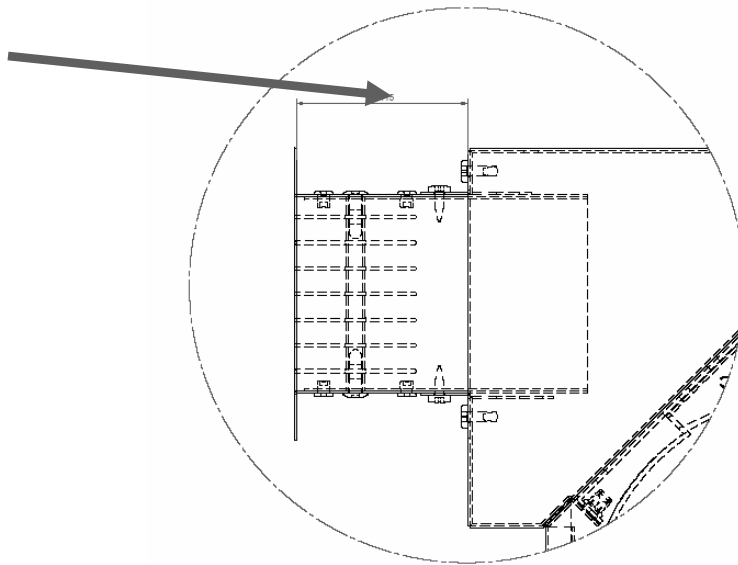


### **Telescopic outlet grille**

When mounted above the false ceiling a method must be found to bring the outlet grille through the false ceiling. Model SF comes with a protruding outlet section. The length of this protruding part is 24 mm. This is usually not enough for a good finishing of the mounting and to guarantee a good functioning of the air curtain. For this reason Biddle has designed a telescopic outlet section which can be used to extend the length of the outlet section and allows mounting above a ceiling with a thickness between 50 and 115 mm. For an optimum functioning of the unit, the rectifier grille has been removed from the air curtain and is now mounted in the telescopic grille to ensure the optimum efficiency in climate separation.



Telescopic outlet grille for ceilings with a thickness between 50 and 115 mm.



## Air inlet grille

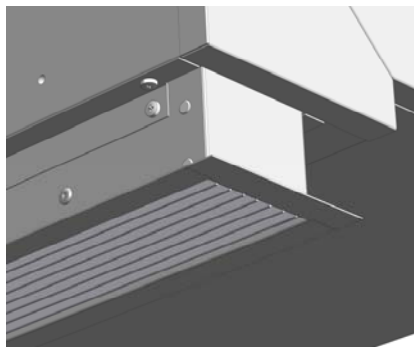


The inlet grille is available as an option.

Optionally Biddle can provide a special air inlet grille for recessed mounting. In case the SF air curtain is mounted above the false ceiling the inlet air can be taken either from the false ceiling or via a special inlet grille from the space below the ceiling. In case no air inlet grille is applied one has to be sure that there will be enough ventilation available into the space above the ceiling to make sure that there will be no under pressure created by the air curtain.

As the free-hanging model SF comes without filters, also the inlet grill is supplied without filters. However, to avoid the problem of being able to look through the inlet grille and to see the upper ceiling (which can happen in certain applications), Biddle supplies optional inlet grills with a class G1 filter. This filter can easily be cleaned by a vacuum cleaner.

## Ease of mounting

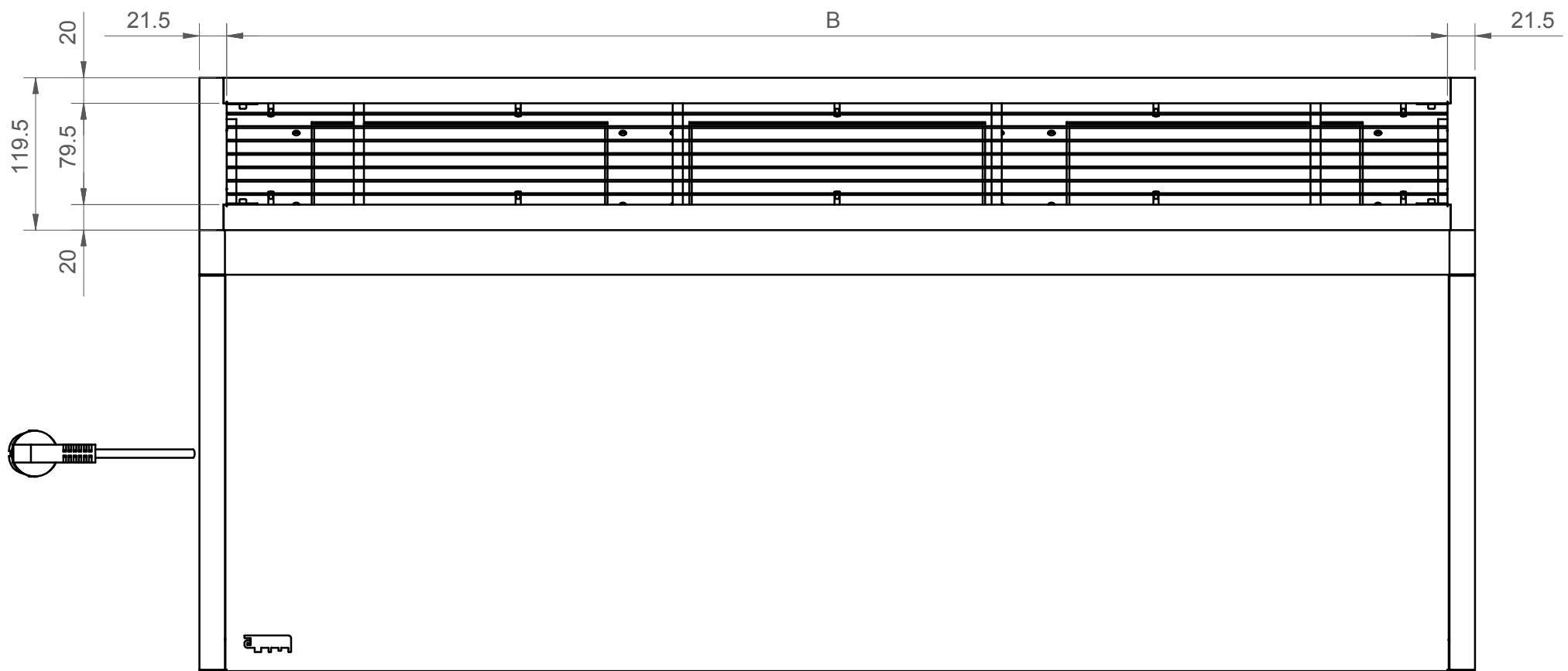
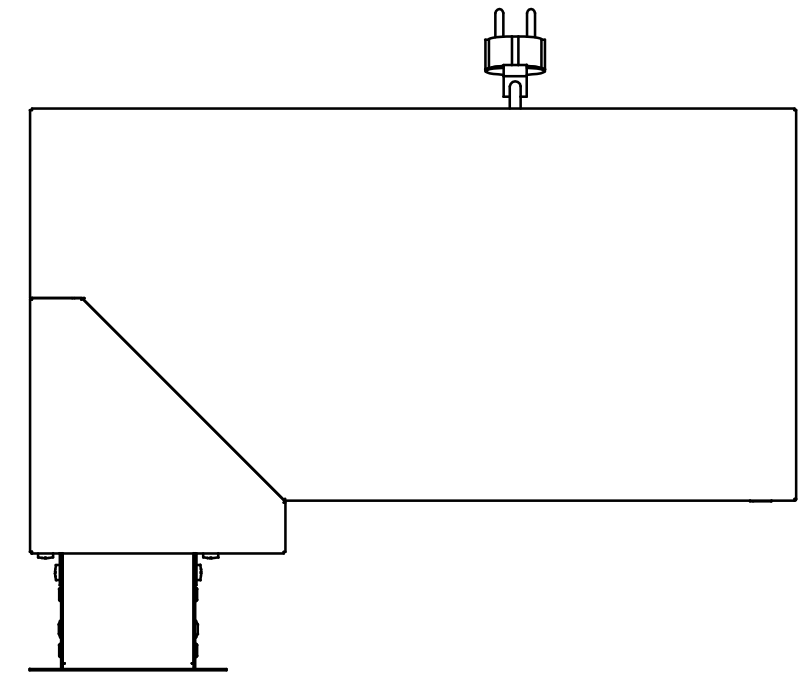
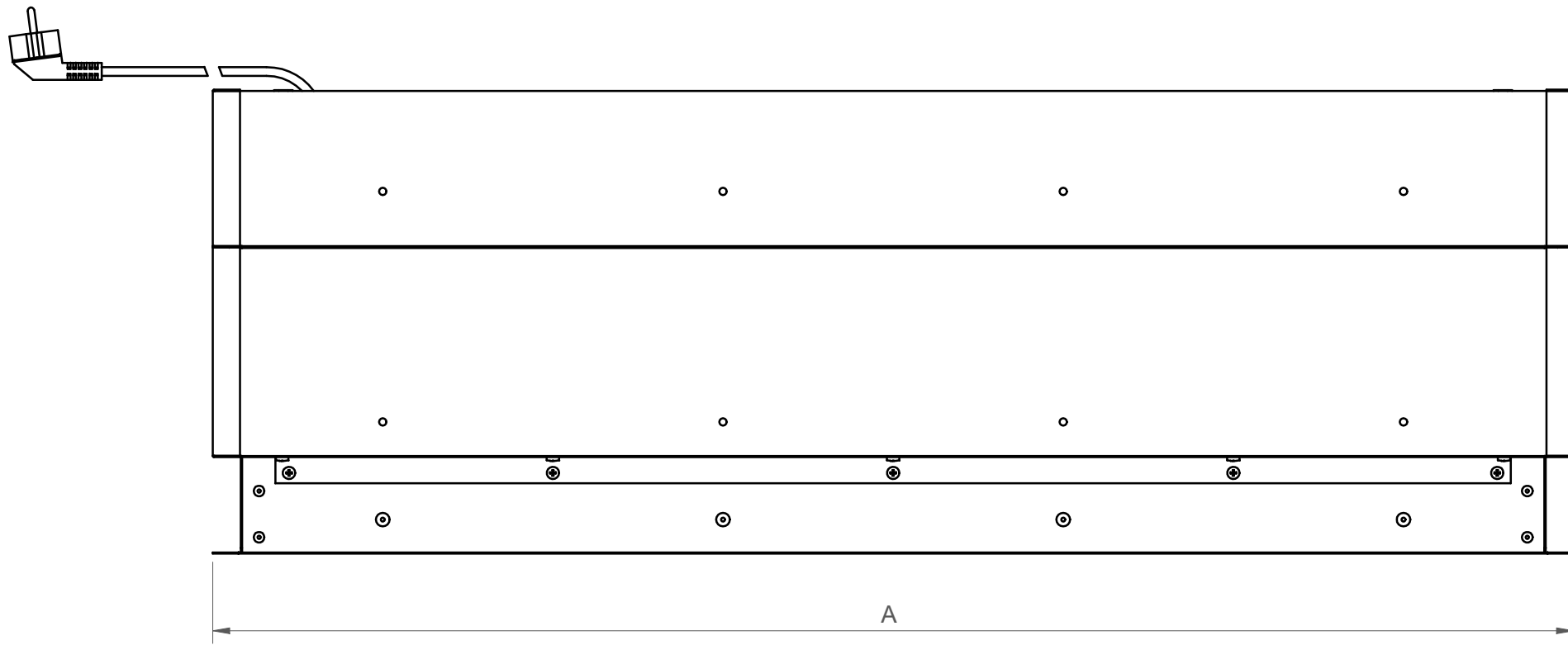


The outlet grille is mounted in the opening of the outlet section.

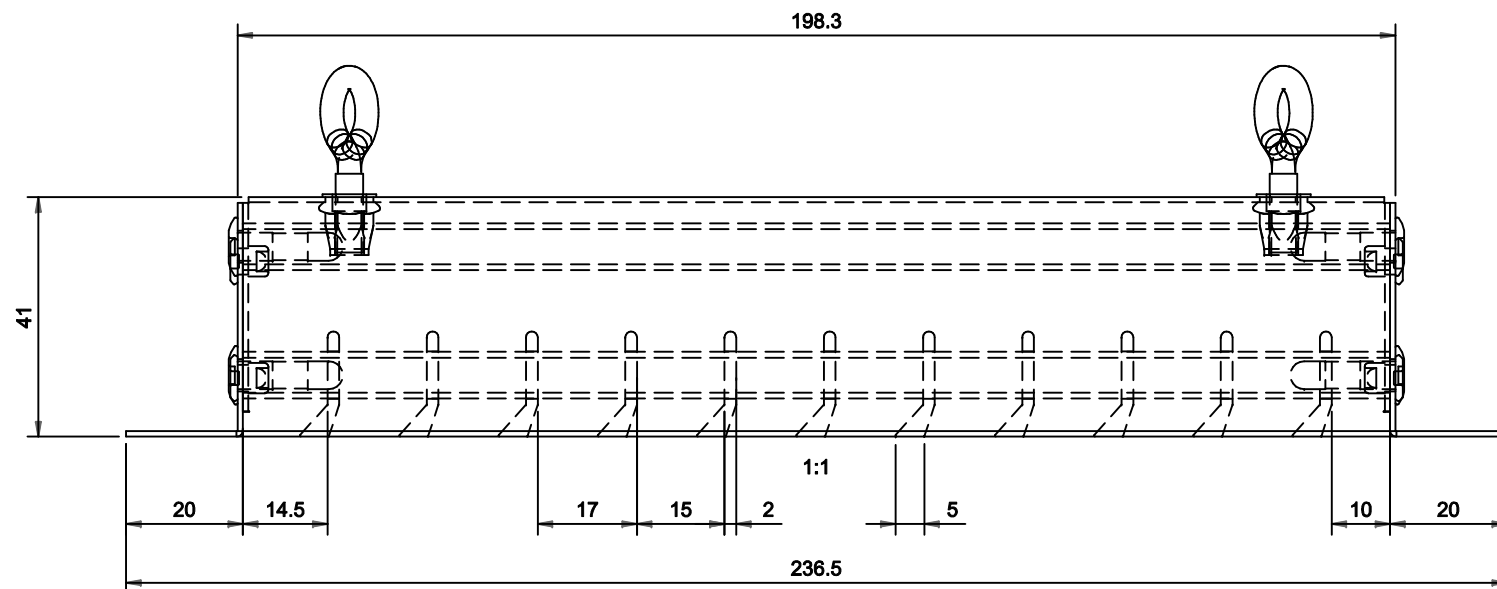
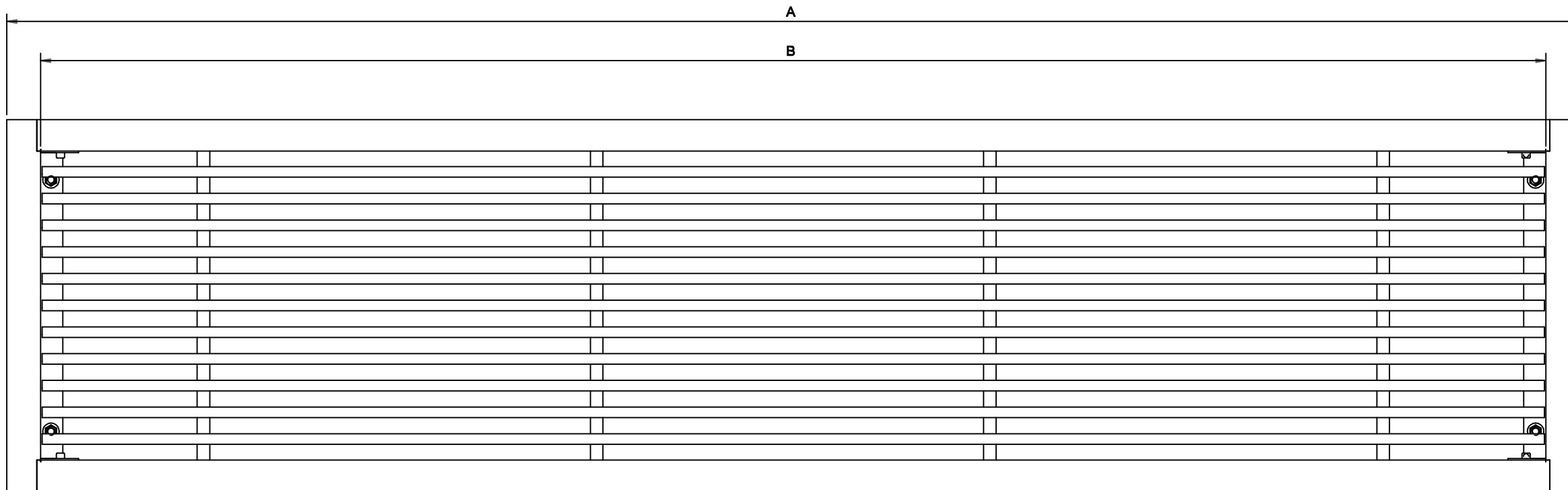
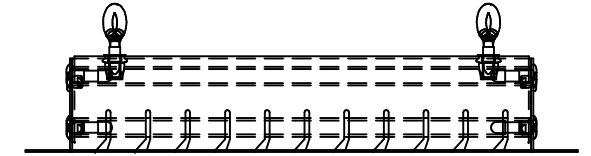
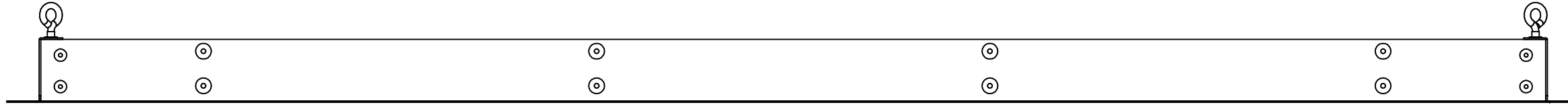
After mounting the base unit above the false ceiling, the outlet grille can be positioned in the opening of the outlet section. By means of two angle trims and some self tapping screws the outlet section can be connected to the air curtain. The recessed inlet grille of model SF can be mounted close to the air curtain in the false ceiling. It can be fixed by using the eye bolts in the grille. The complete recessed assembly gives a basic but very nice finishing of the installation whilst the performance of the unit is guaranteed.

## Selection of the right unit

For the selection of the correct unit the same rules apply as described in the brochure of the general-purpose air curtain, model SF. However, in case the unit is mounted as a recessed unit above the false ceiling, the distance between the outlet grille and ground floor usually becomes bigger, compared to a free-hanging situation. This should be taken into consideration when selecting either the SP or HP configuration.



Type:	A	B
SF-100	1000	957
SF-150	1500	1457
SF-200	2000	1957



Type:	A	B
SF-100	1000	957
SF-150	1500	1457
SF-200	2000	1957